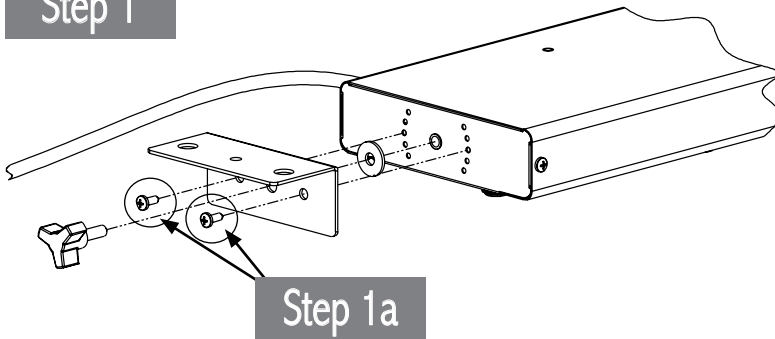


LED OVERHEAD LIGHT, WITH DIMMER

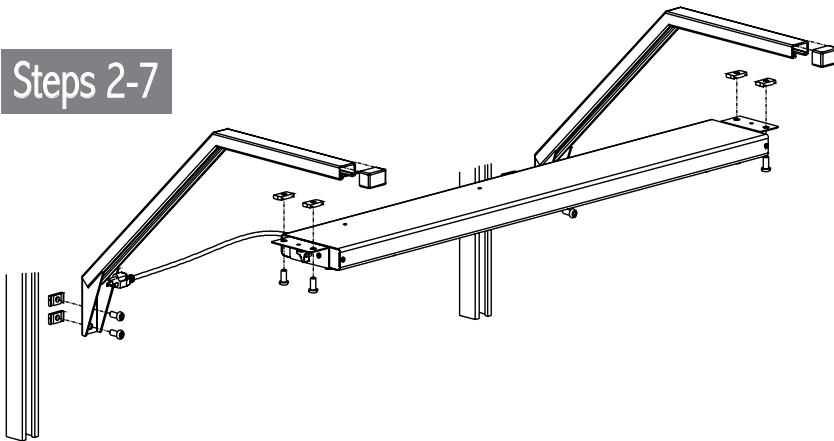
Item Numbers 8900, 8902, 8905, 8910

Step 1



Step 1a

Steps 2-7



ACCESSORIES

PARTS AND HARDWARE	QUANTITY
Overhead Arms	2
End Caps	2
Basic Bolts	8
Basic Nuts	8
Light Unit	1
Light Mounting Brackets	2
7/32 Allen Wrench	1
3-Lobe Knob	2
1/4" Washer	2
Tek Screw	4
Other Items Needed (not included)	
Phillips head screwdriver	
Tape Measure	

•Note: To install Overhead Arms only, perform steps 3 & 4.

1. Install light mounting brackets on each end of light using a 3-Lobe Knob and washers. Mounting bracket should be flush with the top of the light unit.
 - a. To lock in the fixed position, install using 3-Lobe Knob and sheet metal screws.
2. Insert Basic Bolts from bottom of each light mounting bracket and secure with Basic Nuts. Turn only one revolution. Repeat for other bracket.
3. Insert two (2) Basic Bolts into mounting plate on Overhead Arm. Secure with Basic Nut with grooves facing the back of the mounting plate. Turn only one revolution. Repeat for other Overhead Arm.
4. Insert Basic Nuts attached to Overhead Arm mounting plate into frame channel of workstation or Uprights and turn Basic Bolt 90 degrees clockwise to grip. Top of mounting plate should be flush with top of frame cross member. Tighten the bolts. Repeat for other Overhead Arm.
5. Position light unit with cord facing the frame. Insert Basic Nuts attached to light unit into Overhead Arm channel and turn Basic Bolt 90 degrees clockwise to grip.
6. Slide the light unit to the desired position. Tighten the bolts. Slide End Caps onto front ends of Overhead Arms.
7. To adjust angle, loosen the 3-lobe knob on each end of the light and tilt to desired angle. Tighten knobs.