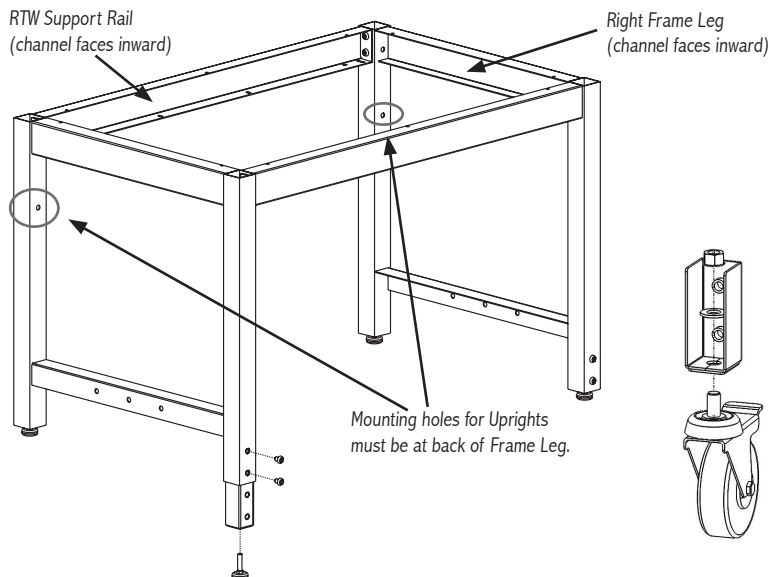




RTW Table with optional accessories

### Assembly Tips

- Review entire instruction manual before proceeding.
- Production Basics nameplate indicates front of frame.
- Legs are adjustable in 2-inch increments between 30-36 or 30-42 inches high, depending on products ordered.
- Don't be a slave to gravity-recruit a co-worker to help you install and correctly position components and accessories.
- References to 'Left' and 'Right' are oriented as if you were facing the front of the workstation.
- Need help? Call Assembly Support at 800.318.2770.

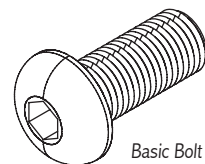


## Workstations

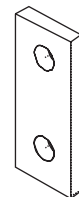
### RTW TABLE

Item Numbers 3000-3115

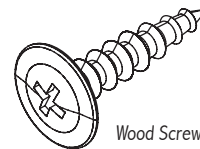
PARTS AND HARDWARE	QUANTITY
Frame Legs (left and right specific)	2
Leg Adjusters	4
RTW Support Rail	2
Chrome Mounting Plate	4
Worksurface	1
Leveling Feet	4
Wood Screws	12
Basic Bolts	16
7/32 Allen Wrench	1
<b>Other Items Needed (not included)</b>	
Phillips head drill or screwdriver	
Rubber mallet	
Level	
Tape Measure	



Basic Bolt

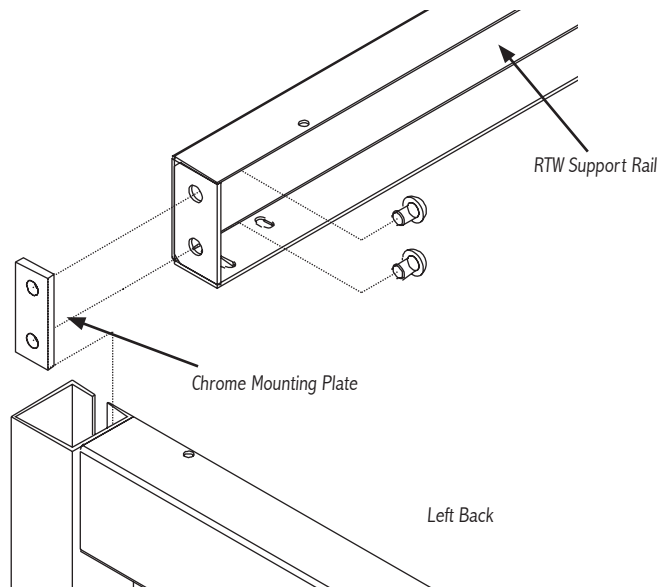


Chrome Mounting Plate

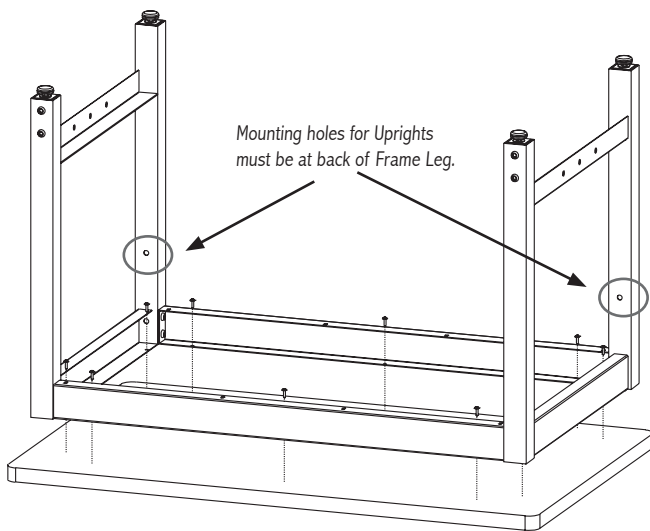


Wood Screw

1. Open the cartons and identify the left and right Frame Legs and RTW Support Rail. Position Frame Legs so that mounting holes for Uprights are at the back of the RTW Table. Frame Legs have a horizontal open channel that faces inward.
2. Screw the levelling feet all the way into the leg adjusters.
  - 2a. For casters assembly - Insert caster stem into leg adjuster, lock caster and secure with nut and washer.
3. Slide leg adjusters into bottom of Frame Legs. Determine desired table height and secure position by inserting two (2) Basic Bolts. Adjust leveling feet if necessary.



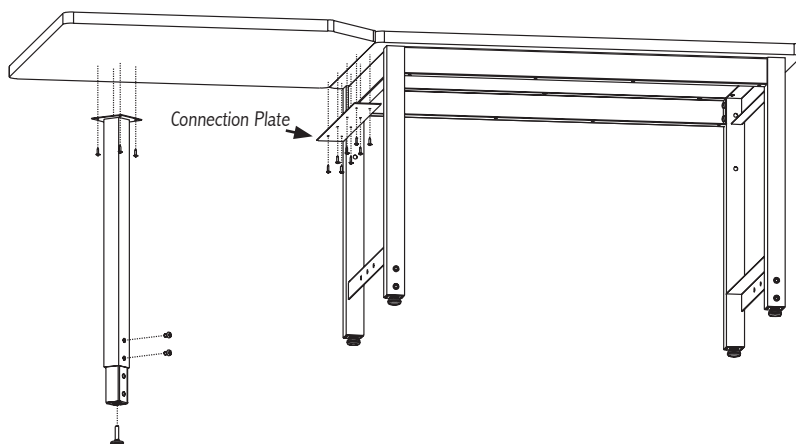
4. Locate Support Rail. Loosely attach the Chrome Mounting Plate to the outside of the Support Rail with two (2) Basic Bolts using Allen wrench provided.
5. Slip the Chrome Mounting Plate into the slot on the frame leg as shown. The leg will be between the Chrome Mounting Plate and the Support Rail. Repeat for all sides and tighten bolts.
6. Invert the assembled RTW frame onto the underside of the worksurface. Position the worksurface and frame so that it is flush with the back of unit with equal overhang, left and right.
7. For laminate and hardwood worksurfaces, attach the worksurface to the frame by drilling wood screws through the pre-drilled holes in the Support Rails and Frame Legs, then into underside of worksurface. For other surfaces, specific instructions are included with your worksurface. Turn RTW Table right side up.



PARTS AND HARDWARE	QUANTITY
Height Adjustable Leg (2 pieces)	1
Leveling Foot	1
Connection Plates	2
Laminate Worksurface	1
Basic Bolts	2
Wood Screws	20
7/32 Allen Wrench	1
<b>Other Items Needed (not included)</b>	
Phillips head drill or screwdriver	

## RTW ADD-ON CORNER

Item Numbers 3418-3519



**•Note: Add-on Corner requires two (2) RTW Tables for proper assembly. Assemble RTW Tables before assembling Add-on Corner.**

1. Insert two (2) Basic Bolts into adjustable leg, determining height. Screw in Leveling Foot
2. Insert four (4) wood screws through connection plate and into the underside of the worksurface on the existing RTW Table. Repeat for other connection plate on opposite RTW Table.
3. Place the corner laminate worksurface in between the workstations. Secure with wood screws through the connection plate.
4. Use wood screws to attach adjustable leg to underside of worksurface 1" from edge.

**Production  
BASICS**

Need Help? Call Assembly Support at 800.318.2770